



# ALPHA-III

## IT WILL NEVER LET YOU DOWN



- 14 yd<sup>3</sup> to 32 yd<sup>3</sup> body sizes available
- Up to 900 lbs/yd<sup>3</sup> compaction
- Large 3.0 yd<sup>3</sup> hopper
- Single piece body walls for increased strength and seamless appearance
- Largest hopper sweep in the industry
- 22 second packing cycle (with regen valve option)

- Residential and Light Commercial packages available
- No pre-compaction inside the hopper
- Packer/carrier available with rollers or side shoes
- Low load sill height of 5" below frame
- Fully integrated Labrie CNG system – roof, frame and back of cab mount – 50 to 100 DGE available

Body Specifications	Residential	Light Commercial
Body Trough Floor	5/16" 50W 50,000psi	5/16" 50W 50,000psi
Body Sides	10ga A1011 80,000psi	10ga A1011 80,000psi
Body Roof	10ga A1011 80,000psi	10ga A1011 80,000psi
Body Ramp Liners	-	1/4" A715 GR80 80,000psi

Packer-Carrier Specs	Residential	Light Commercial
Compaction ratio (lbs/yd <sup>3</sup> )	900	900
Packer Panel Face Plate	3/16" 50W 50,000psi	3/16" 50W 50,000psi
Carrier Panel Face Plate	7ga 50W 50,000psi	7ga 50W 50,000psi

Hopper Specifications	Residential	Light Commercial
Hopper Size (yd <sup>3</sup> )	3.0	3.0
Hopper Opening Width	84"	84"
Hopper Opening Height	62"	62"
Hopper Depth	16"	16"
Loading Sill Below Chassis Frame	5"	5"
Hopper Floor	3/16" 100QT 100,000psi (AR450, 175,000 psi optional)	1/4" 100QT 100,000psi (AR450, 175,000 psi optional)
Hopper Sides (upper)	3/16" 50W 50,000psi (AR450, 175,000 psi optional)	3/16" 50W 50,000psi (AR450, 175,000 psi optional)
Hopper Sides (lower)	3/16" 50W 50,000psi (AR450, 175,000 psi optional)	1/4" 50W 50,000psi (AR450, 175,000 psi optional)

Ejector Specifications	Residential	Light Commercial
Ejector Panel Face Plate	3/16" 50W 50,000psi	3/16" 50W 50,000psi

Hydraulic Specs	Residential	Light Commercial
Pump	Gear	Gear
Pump Capacity	42 gpm @ 1200 rpm	42 gpm @ 1200 rpm
Max. Operating Pressure	2,150 psi	2,150 psi
Oil Reservoir	50 gal	50 gal

Cylinder Specifications	Residential	Light Commercial
Ejector Cylinder (14yd <sup>3</sup> bodies)	1 stage 4-1/2" bore x 43" stroke	1 stage 4-1/2" bore x 43" stroke
Ejector Cylinder (16yd <sup>3</sup> bodies)	2 stages 5-1/2" bore x 54-1/2" stroke	2 stages 5-1/2" bore x 54-1/2" stroke
Ejector Cylinder (18yd <sup>3</sup> bodies)	2 stages 5-1/2" bore x 66-1/2" stroke	2 stages 5-1/2" bore x 66-1/2" stroke
Ejector Cylinder (20yd <sup>3</sup> bodies)	2 stages 5-1/2" bore x 78-1/2" stroke	2 stages 5-1/2" bore x 78-1/2" stroke
Ejector Cylinder (25yd <sup>3</sup> bodies)	3 stages 6-1/2" bore x 115-9/16" stroke	3 stages 6-1/2" bore x 115-9/16" stroke
Ejector Cylinder (29yd <sup>3</sup> bodies)	4 stages 6-1/2" bore x 148" stroke	4 stages 6-1/2" bore x 148" stroke
Ejector Cylinder (32yd <sup>3</sup> bodies)	5 stages 7-1/2" bore x 170-5/16" stroke	5 stages 7-1/2" bore x 170-5/16" stroke
Packer Cylinders	4-1/2" bore x 2-1/2" rod x 32-1/2" stroke	4-1/2" bore x 2-1/2" rod x 32-1/2" stroke
Carrier Cylinders	5-1/2" bore x 2-1/2" rod x 37" stroke	5-1/2" bore x 2-1/2" rod x 37" stroke
Tailgate Cylinders	4" bore x 3-1/2" rod x 32-11/16" stroke	4" bore x 3-1/2" rod x 32-11/16" stroke

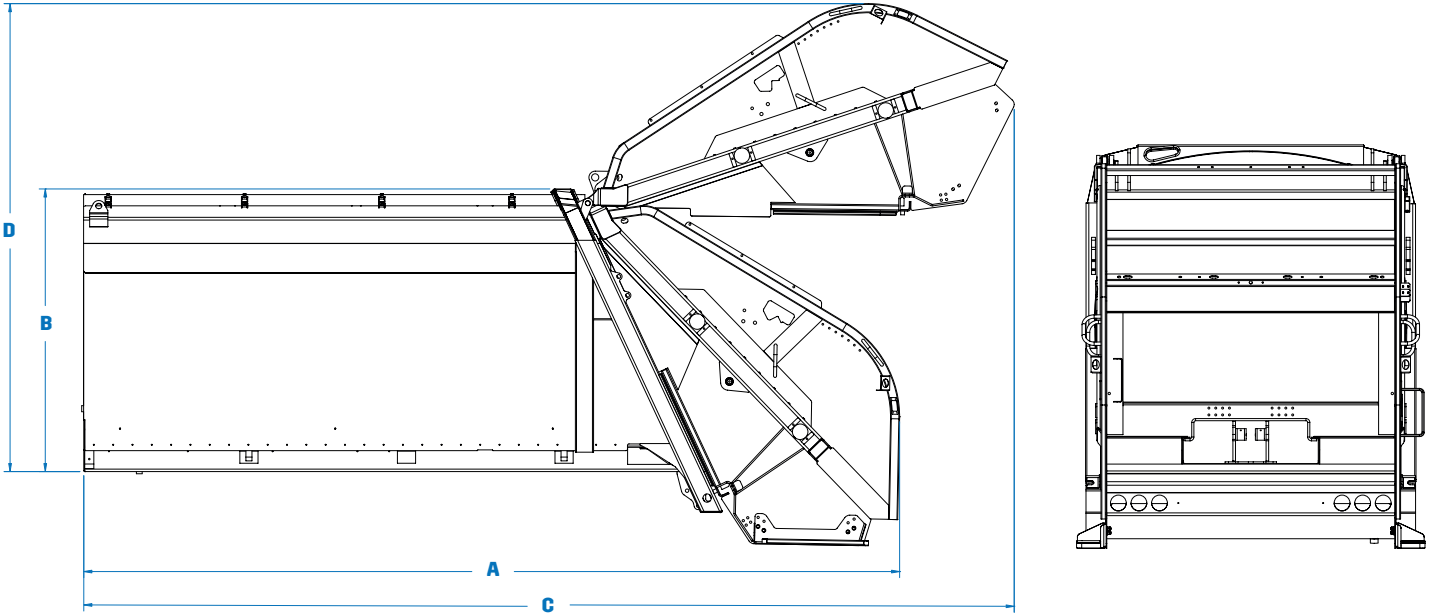
Note: Specifications subject to change without notice



www.labriegrup.com



sales@labriegrup.com • 1-800-463-6638



Body Dimensions	14yd <sup>3</sup>	16yd <sup>3</sup>	18yd <sup>3</sup>	20yd <sup>3</sup>	25yd <sup>3</sup>	29yd <sup>3</sup>	32yd <sup>3</sup>
A. Overall Length, Tailgate Closed (in.)	192	205	218	230	269	302	325
Overall Width (in.)	102	102	102	102	102	102	102
B. Overall Height Above Frame, Tailgate Closed (in.)	93	93	93	93	93	93	93
C. Overall Length, Tailgate Open (in.)	230	243	255	268	307	340	363
D. Overall Height Above Frame, Tailgate Open (in.)	154	154	154	154	154	154	154

Performance Specifications	Residential	Light Commercial
Packer/Carrier Cycle Time (with regen)	22-24 sec	22-24 sec
Packer/Carrier Cycle Time (without regen)	26-28 sec	26-28 sec
Tailgate Open	10 sec @ 700 rpm	10 sec @ 700 rpm
Tailgate Close (with Safety Flow limiter)	30 sec @ 700 rpm	30 sec @ 700 rpm